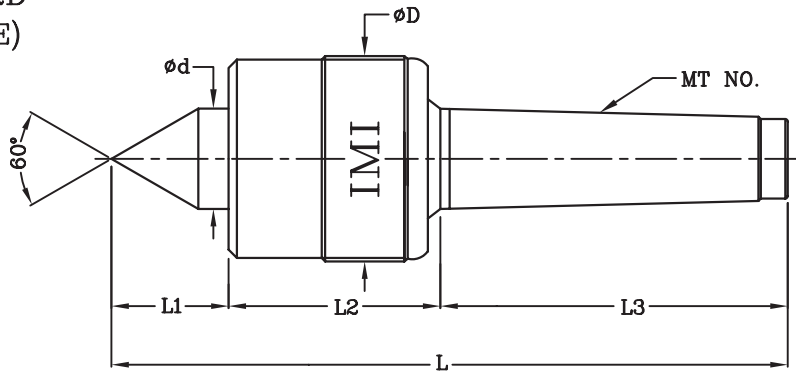




REVOLVING CENTER (IS 3793-1966)

TYPE RC-S3B

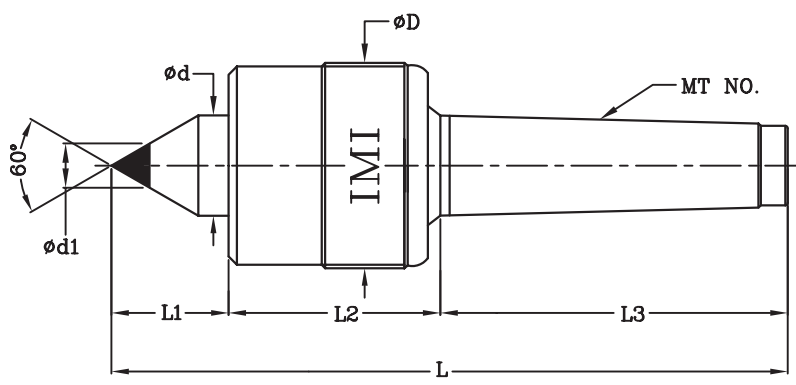
MODEL - STANDARD  
(THREE BEARING TYPE)



MT NO.	L1	L2	L3	L	øD	ød	Load Capacity (Kg)
MT-3	28	54	86	168	52	24	250 Kg
MT-4	36	60	109	205	62	28	300 Kg
MT-5	40	71	136	247	68	36	400 Kg
MT-6	58	90	190	338	108	58	1000 Kg
Runout Within 0.010mm TIR							

TYPE RC-SC3B

MODEL - STANDARD CARBIDE TIPPED  
(THREE BEARING TYPE)



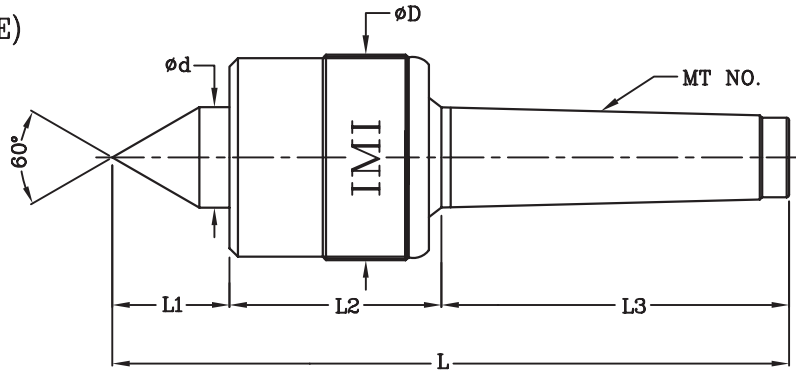
MT NO.	L1	L2	L3	L	øD	ød	ød1	Load Capacity (Kg)
MT-3	28	54	86	168	52	24	11	250 Kg
MT-4	36	60	109	205	62	28	11	300 Kg
MT-5	40	71	136	247	68	36	14	400 Kg
MT-6	58	90	190	338	108	58	18	1000 Kg
Runout Within 0.010mm TIR								



REVOLVING CENTER (IS 3793-1966)

TYPE RC-SH3B

MODEL - HEAVY DUTY  
(THREE BEARING TYPE)

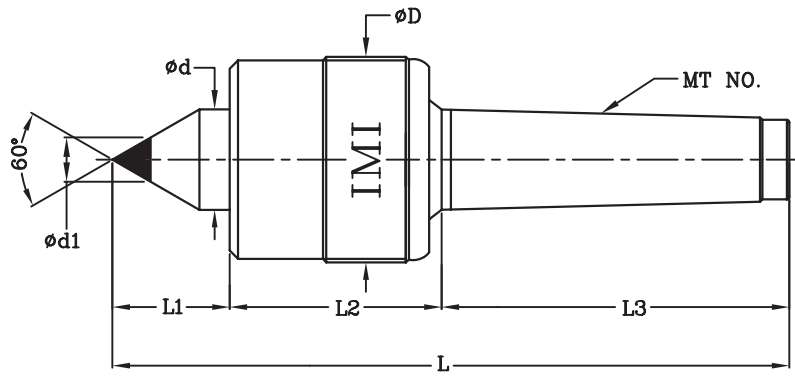


MT NO.	L1	L2	L3	L	øD	ød	Load Capacity (Kg)
MT-3	36	59	86	181	62	28	300 Kg
MT-4	40	68	109	217	68	36	400 Kg
MT-5	40	78	136	254	82	36	600 Kg
MT-6	56	110	190	356	102	56	2000 Kg

Runout Within 0.010mm TIR

TYPE RC-SHC3B

MODEL - HEAVY DUTY CARBIDE TIPPED  
(THREE BEARING TYPE)



MT NO.	L1	L2	L3	L	øD	ød	ød1	Load Capacity (Kg)
MT-3	36	59	86	181	62	28	11	300 Kg
MT-4	40	68	109	217	68	36	14	400 Kg
MT-5	40	78	136	254	82	36	18	600 Kg
MT-6	56	110	190	356	102	56	18	2000 Kg

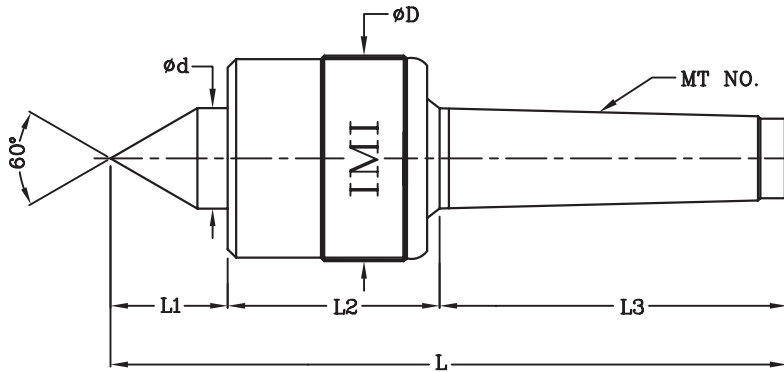
Runout Within 0.010mm TIR



REVOLVING CENTER (IS 3793-1966)

TYPE RC-EH4B

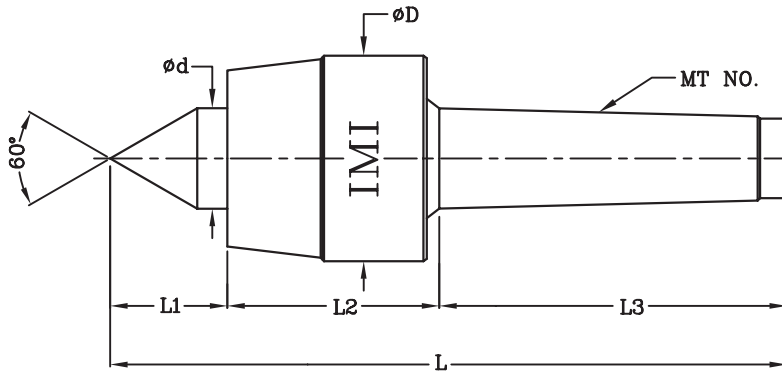
MODEL - EXTRA HEAVY DUTY  
(FOUR BEARING TYPE)



	L1	L2	L3	L	$\phi D$	$\phi d$	Load Capacity (Kg)
MT-5	56	108	136	300	102	56	4500 Kg
MT-6	67	132	190	389	140	60	8000 Kg
Runout Within 0.015mm TIR							

TYPE RC-HP4B

MODEL - HIGH PRICISION  
(FOUR BEARING TYPE)



MT NO.	L1	L2	L3	L	$\phi D$	$\phi d$	Load Capacity (Kg)	SPEED MAX. (r.p.m)
MT-3	28	47	86	164	50	24	500 Kg	5000
MT-4	36.5	60.5	109	206	70	28	800 Kg	3800
MT-5	39	73	136	248	74.5	38	2000 Kg	3000
MT-6	67	88.5	190	352	108	60	3500 Kg	2000

Runout Within 0.005mm TIR



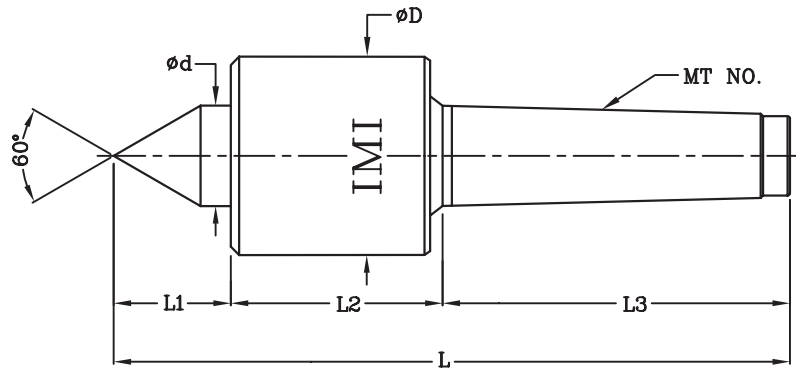
IMI MACHINE TOOLS PVT.LTD.

WORKS:- BLOCK NO. 135/2, Bileshwarpura, P.O. CHHATRAL-382729 DIST : Gandhinagar. (N.G.) I

REVOLVING CENTER (IS 3793-1966)

TYPE RC-HPSB4B

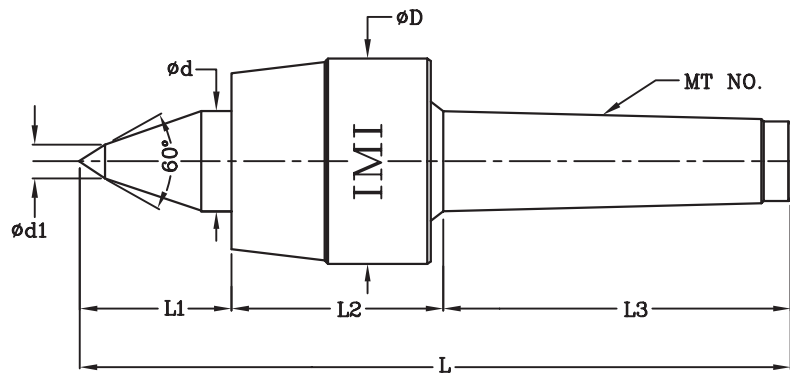
MODEL - SMALL BODY TYPE HIGH PRICISION  
(FOUR BEARING TYPE)



	L1	L2	L3	L	$\phi D$	$\phi d$	Load Capacity (Kg)	SPEED MAX. (r.p.m)
MT-3	18	39	86	164	34	18	400 Kg	7000
MT-4	25	44	109	206	48	25	800 Kg	6300
MT-5	34	63.5	136	248	58	34	1600 Kg	4300
MT-6	49	86	196.5	352	80	49	3500 Kg	3000
Runout Within 0.005mm TIR								

TYPE RC-HPCTB4B

MODEL - HIGH PRICISION COPING TYPE  
(FOUR BEARING TYPE)

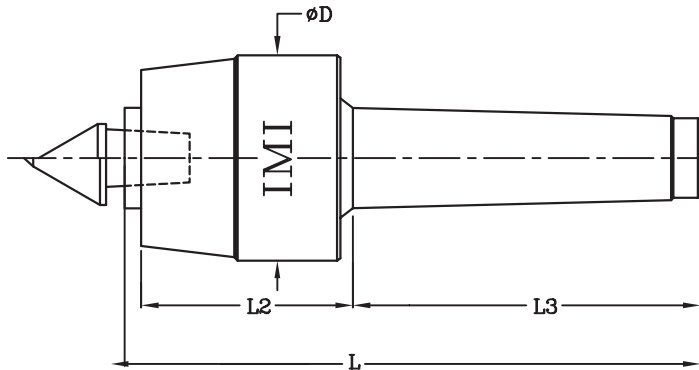


MT NO.	L1	L2	L3	L	$\phi D$	$\phi d$	$\phi d_1$	Load Capacity (Kg)	SPEED MAX. (r.p.m)
MT-3	37	47	86	164	50	18.3	8	500 Kg	5000
MT-4	48	60.5	109	206	70	26.4	12	800 Kg	3800
MT-5	52.5	73	136	248	74.5	34	12	2000 Kg	3000
Runout Within 0.005mm TIR									

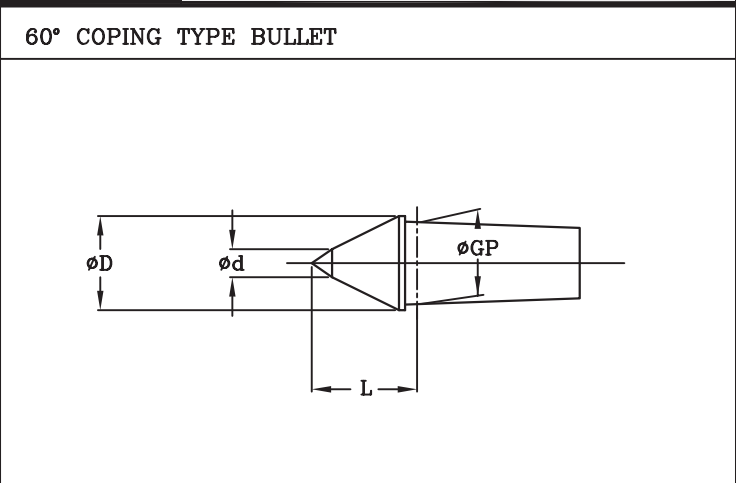
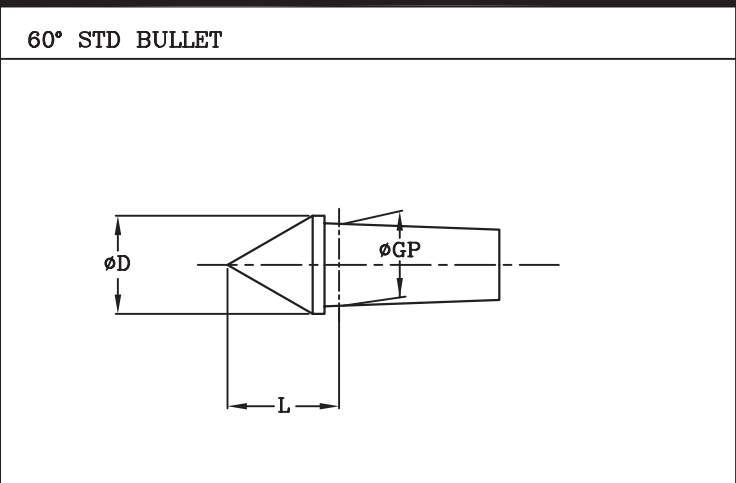


REVOLVING CENTER (IS 3793-1966)

MODEL - INTERCHANGEABLE INSERT TYPE HIGH PRECISION REVOLVING PIPE CENTER  
(FOUR BEARING TYPE)



MT NO.	L2	L3	L	ØD	Load capacity (Kg)	speed max. (r.p.m)
MT-3	47	86	138	50	150 Kg	5000
MT-4	60.5	109	174.5	70	300 Kg	3800
MT-5	73	136	214	74.5	650 Kg	3000
Runout Within 0.010mm TIR						



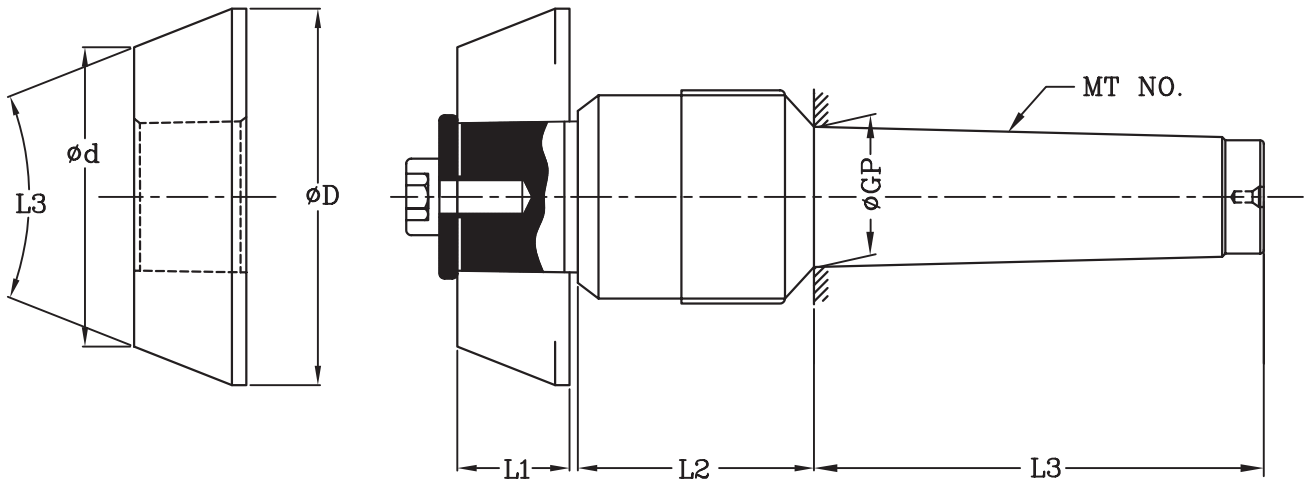
MT NO.	GPØ	ØD	L
MT-3	12	20	24
MT-4	15	28	31.5
MT-5	22	38	43
60° STD BULLET			

MT NO.	GPØ	ØD	Ød	L
MT-3	12	18	8	30
MT-4	15	26	12	43
MT-5	22	32	13	55
60° COPING TYPE BULLET				



REVOLVING CENTER (IS 3793-1966)

MODEL - STD INTERCHANGEABLE INSERT TYPE REVOLVING PIPE CENTER  
(THREE BEARING)



INSERT RANGE	$\phi d$	$\phi D$	MT NO.	L1	L2	L3	$\phi D1$
01	35	60	3	22	54	86	52
02	45	100	3/4	45	54/60	86/109	52/62
03	95	150	3/4/5	45	54/60/71	86/109/136	52/62/68
04	145	200	3/4/5	45	54/60/71	86/109/136	52/62/68
05	195	250	3/4/5	45	54/60/71	86/109/136	52/62/68
06	245	300	4/5	45	60/71	109/136	62/68
07	295	350	5	45	71	136	68