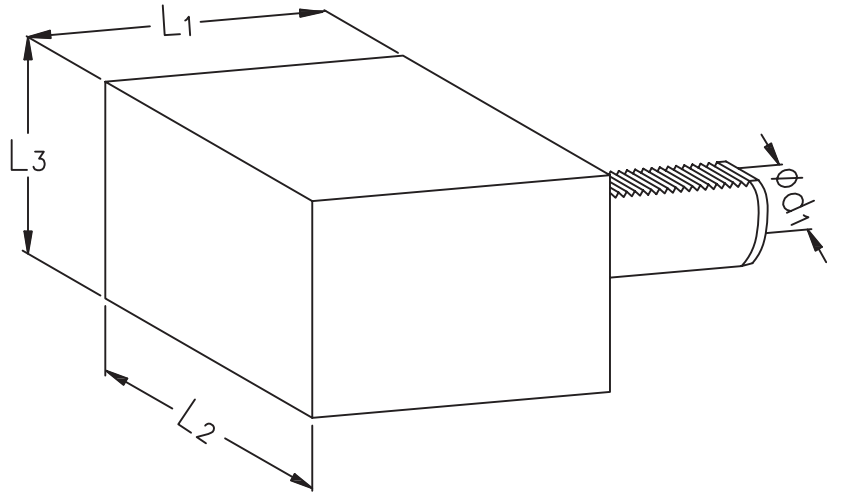




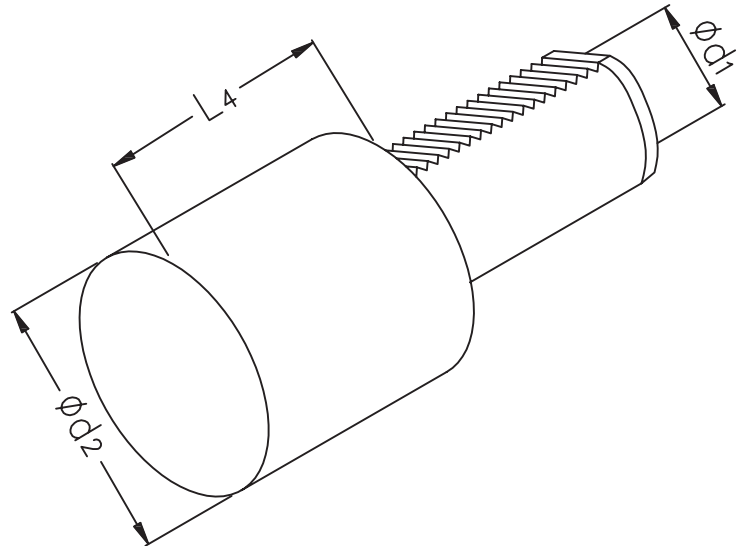
# VDI SHANK HOLDER (FORM A) (DIN 69880)

(FORM A1)



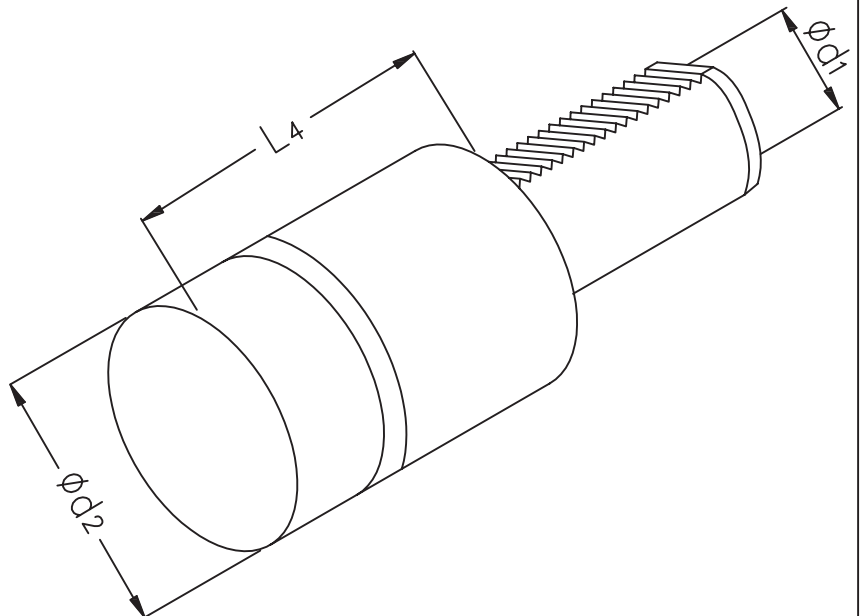
SIZE	Ød <sub>1</sub>	L <sub>1</sub>	L <sub>2</sub>	L <sub>3</sub>
A1 30x 85	30	85	130	76
A1 40x100	40	100	151	96
A1 50x125	50	125	160	120
A1 60x160	60	160	165	125

(FORM A2)



SIZE	Ød <sub>1</sub>	Ød <sub>2</sub>	L <sub>4</sub>
A2 30x100	30	68	100
A2 40x120	40	83	120
A2 50x135	50	98	135
A2 60x150	60	123	150

(FORM A3)

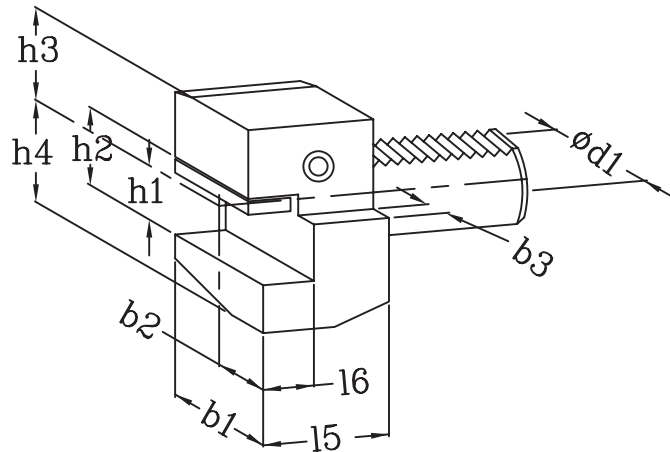


SIZE	Ød <sub>1</sub>	Ød <sub>2</sub>	L <sub>4</sub>
A3 30x240	30	68	240
A3 40x320	40	83	320
A3 50x400	50	98	400
A3 60x480	60	123	480



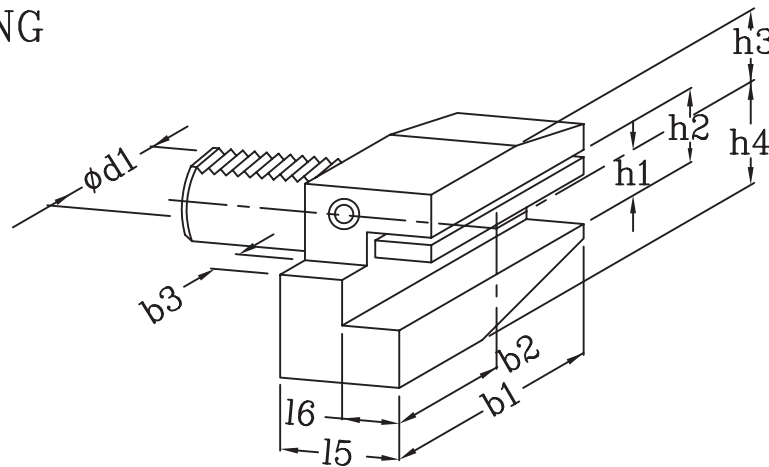
# VDI SHANK HOLDER (FORM B)

(FORM B1)  
RIGHT HAND LONG



SIZE	$\phi d1$	$b1$	$b2$	$b3$	$h1$	$h2$	$h3$	$h4$	$15$	$16$
B1 30X16x40	30	70	35	10	16	25	28	38	40	18
B1 30X20x40	30	70	35	10	20	29	28	38	40	18
B1 40X20x44	40	85	42.50	12.50	20	29	32.50	48	44	22
B1 40X25x44	40	85	42.50	12.50	25	34	32.50	48	44	22
B1 50X25x55	50	100	50	16	25	34	35	60	55	25
B1 50X32x55	50	100	50	16	32	41	35	60	55	25
B1 60X32x60	60	125	62.50	16	32	41	42.50	62.50	60	30

(FORM B2)  
LEFT HAND LONG



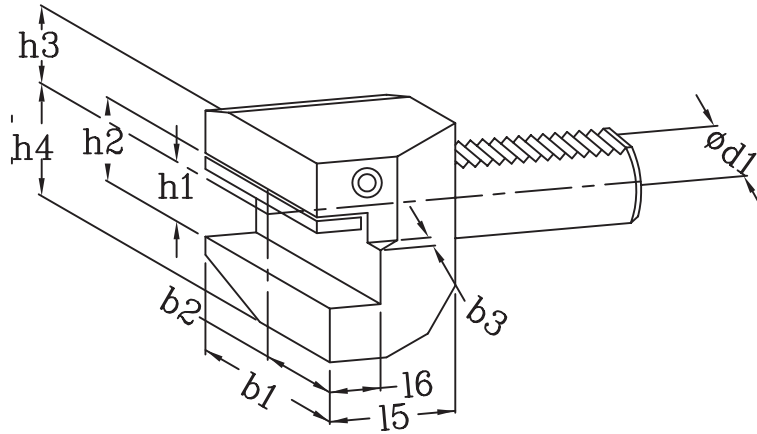
SIZE	$\phi d1$	$b1$	$b2$	$b3$	$h1$	$h2$	$h3$	$h4$	$15$	$16$
B2 30X16x40	30	70	35	10	16	25	28	38	40	18
B2 30X20x40	30	70	35	10	20	29	28	38	40	18
B2 40X20x44	40	85	42.50	12.50	20	29	32.50	48	44	22
B2 40X25x44	40	85	42.50	12.50	25	34	32.50	48	44	22
B2 50X25x55	50	100	50	16	25	34	35	60	55	25
B2 50X32x55	50	100	50	16	32	41	35	60	55	25
B2 60X32x60	60	125	62.50	16	32	41	42.50	62.50	60	30





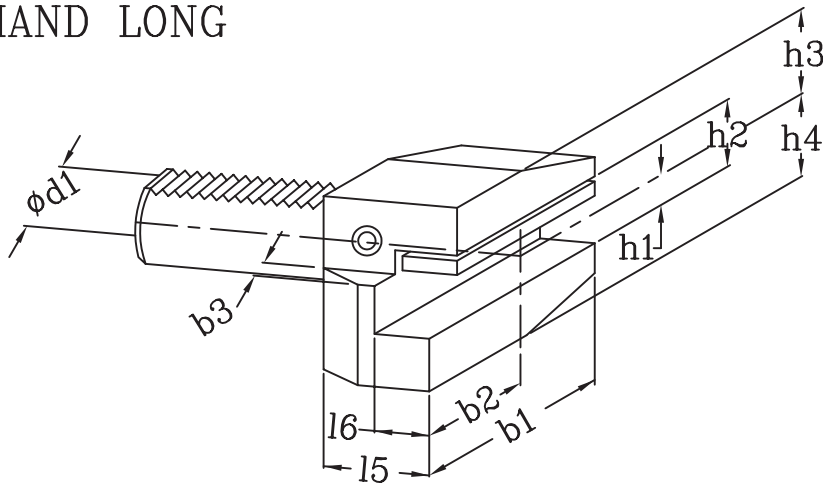
# VDI SHANK HOLDER (FORM B)

(FORM B5)  
RIGHT HAND LONG



SIZE	$\phi d1$	$b1$	$b2$	$b3$	$h1$	$h2$	$h3$	$h4$	15	16
B5 30X16x40	30	100	65	10	16	25	28	38	40	18
B5 30X20x40	30	100	65	10	20	29	28	38	40	18
B5 40X20x44	40	118	75.50	12.50	20	29	32.50	48	44	22
B5 40X25x44	40	118	75.50	12.50	25	34	32.50	48	44	22
B5 50X25x55	50	130	80	16	25	34	35	60	55	25
B5 50X32x55	50	130	80	16	32	41	35	60	55	25
B5 60X32x60	60	145	82.50	16	32	41	42.50	62.50	60	30

(FORM B6)  
LEFT HAND LONG

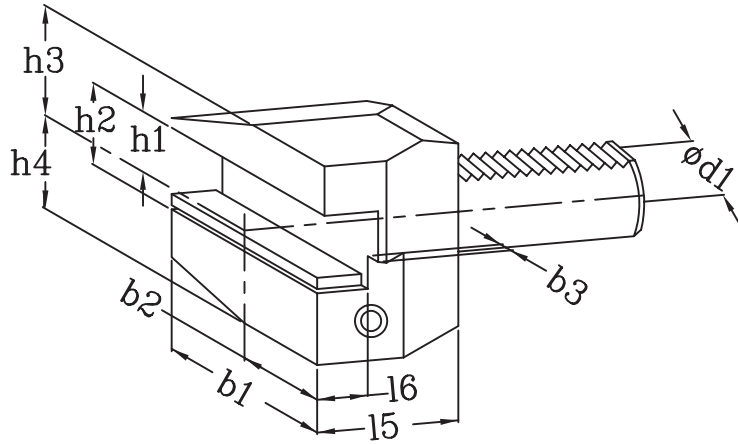


SIZE	$\phi d1$	$b1$	$b2$	$b3$	$h1$	$h2$	$h3$	$h4$	15	16
B6 30X16x40	30	100	65	10	16	25	28	38	40	18
B6 30X20x40	30	100	65	10	20	29	28	38	40	18
B6 40X20x44	40	118	75.50	12.50	20	29	32.50	48	44	22
B6 40X25x44	40	118	75.50	12.50	25	34	32.50	48	44	22
B6 50X25x55	50	130	80	16	25	34	35	60	55	25
B6 50X32x55	50	130	80	16	32	41	35	60	55	25
B6 60X32x60	60	145	82.50	16	32	41	42.50	62.50	60	30



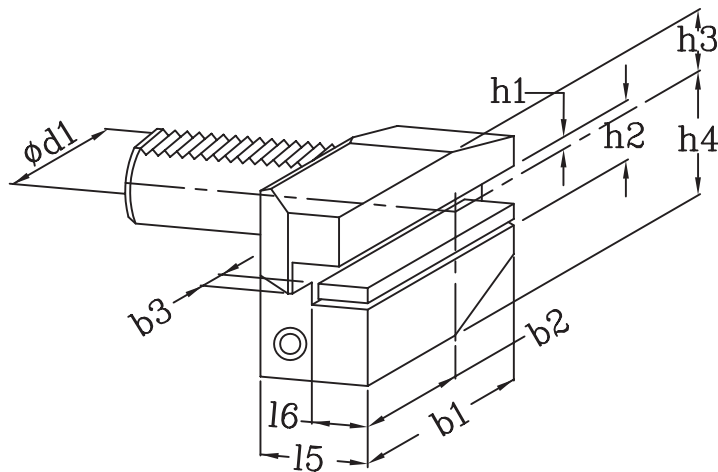
# VDI SHANK HOLDER (FORM B)

(FORM B7)  
RIGHT HAND LONG  
REVERSE



SIZE	$\phi d1$	$b1$	$b2$	$b3$	$h1$	$h2$	$h3$	$h4$	$15$	$16$
B7 30X16x40	30	100	65	10	16	25	38	35	40	18
B7 30X20x40	30	100	65	10	20	29	38	35	40	18
B7 40X20x44	40	118	75.50	12.50	20	29	48	42.50	44	22
B7 40X25x44	40	118	75.50	12.50	25	34	48	42.50	44	22
B7 50X25x55	50	130	80	16	25	34	60	50	55	25
B7 50X32x55	50	130	80	16	32	41	60	50	55	25
B7 60X32x60	60	145	82.50	16	32	41	62.50	62.50	60	30

(FORM B8)  
LEFT HAND LONG  
REVERSE



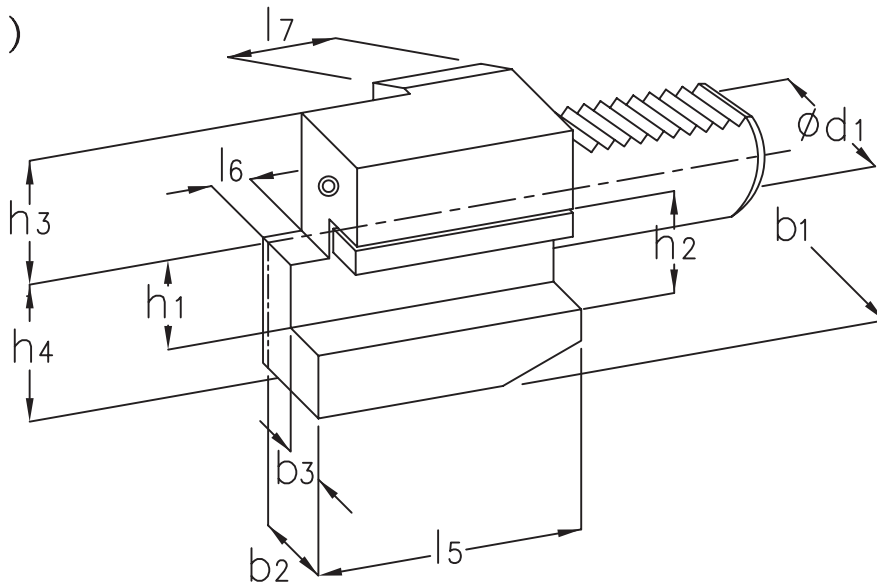
SIZE	$\phi d1$	$b1$	$b2$	$b3$	$h1$	$h2$	$h3$	$h4$	$15$	$16$
B8 30X16x40	30	100	65	10	16	25	38	35	40	18
B8 30X20x40	30	100	65	10	20	29	38	35	40	18
B8 40X20x44	40	118	75.50	12.50	20	29	48	42.50	44	22
B8 40X25x44	40	118	75.50	12.50	25	34	48	42.50	44	22
B8 50X25x55	50	130	80	16	25	34	60	50	55	25
B8 50X32x55	50	130	80	16	32	41	60	50	55	25
B8 60X32x60	60	145	82.50	16	32	41	62.50	62.50	60	30



# VDI SHANK HOLDER ( FORM C )

## ( FORM C1 )

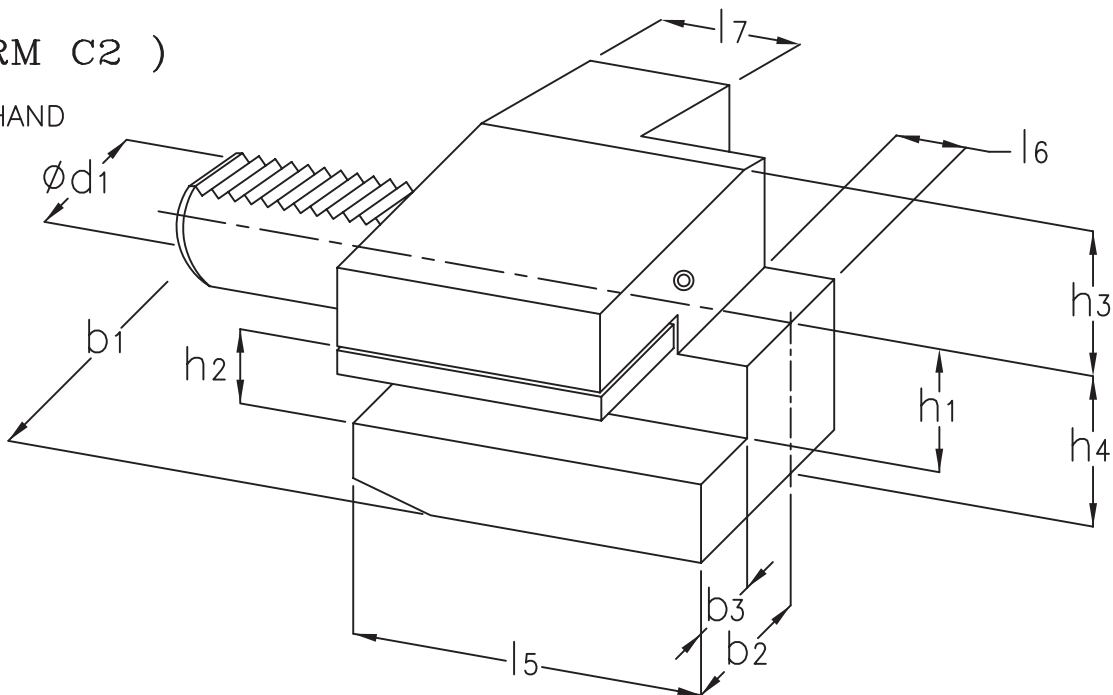
RIGHT HAND



SIZE	$\phi d_1$	$b_1$	$b_2$	$b_3$	$h_1$	$h_2$	$h_3$	$h_4$	$l_5$	$l_6$	$l_7$
C1 30X16	30	70	35	18	16	25	28	38	70	10	30
C1 30X20	30	70	35	18	20	29	28	38	70	10	30
C1 40X20	40	85	42.50	22	20	29	32.50	48	85	12.50	30
C1 40X25	40	85			25	34		48	85	12.50	30
C1 50X25	50	100	50	24.50	25	34	35	60	100	16	40
C1 50X32	50	100	50	24.50	32	41	35	60	100	16	40
C1 60X32	60	125	62.50	30	32	41	42.50	62.50	125	16	40

## ( FORM C2 )

LEFT HAND



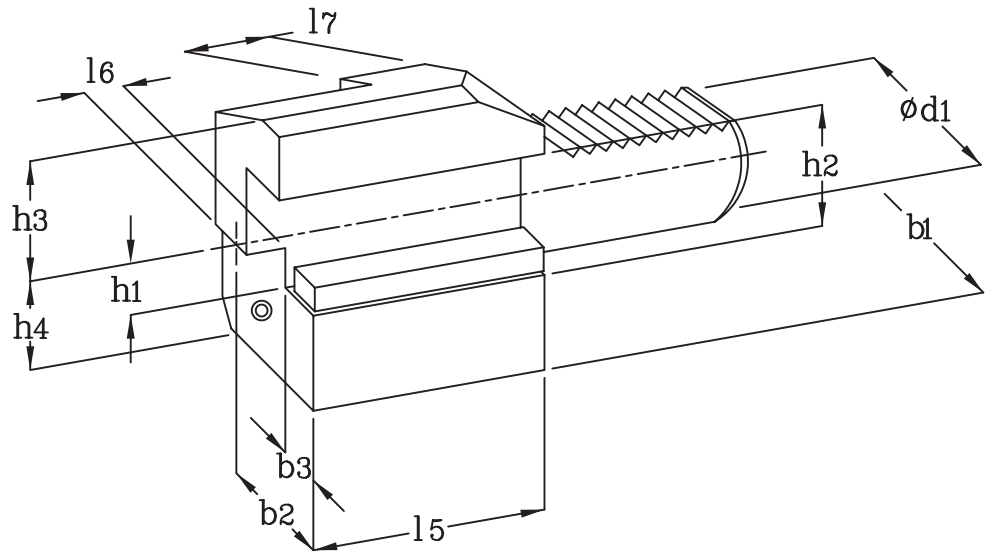
SIZE	$\phi d_1$	$b_1$	$b_2$	$b_3$	$h_1$	$h_2$	$h_3$	$h_4$	$l_5$	$l_6$	$l_7$
C2 30X16	30	76	41	18	16	25	28	38	70	10	30
C2 30X20	30	76	41	18	20	29	28	38	70	10	30
C2 40X20	40	90	47.50	22	20	29	32.50	48	85	12.50	30
C2 40X25	40	90	47.50	22	25	34	32.50	48	85	12.50	30
C2 50X25	50	105	55	24.50	25	34	35	60	100	16	40
C2 50X32	50	105	55	24.50	32	41	35	60	100	16	40
C2 60X32	60	125	62.50	30	32	41	42.50	62.50	125	16	40



# VDI SHANK HOLDER ( FORM C )

( FORM C3 )

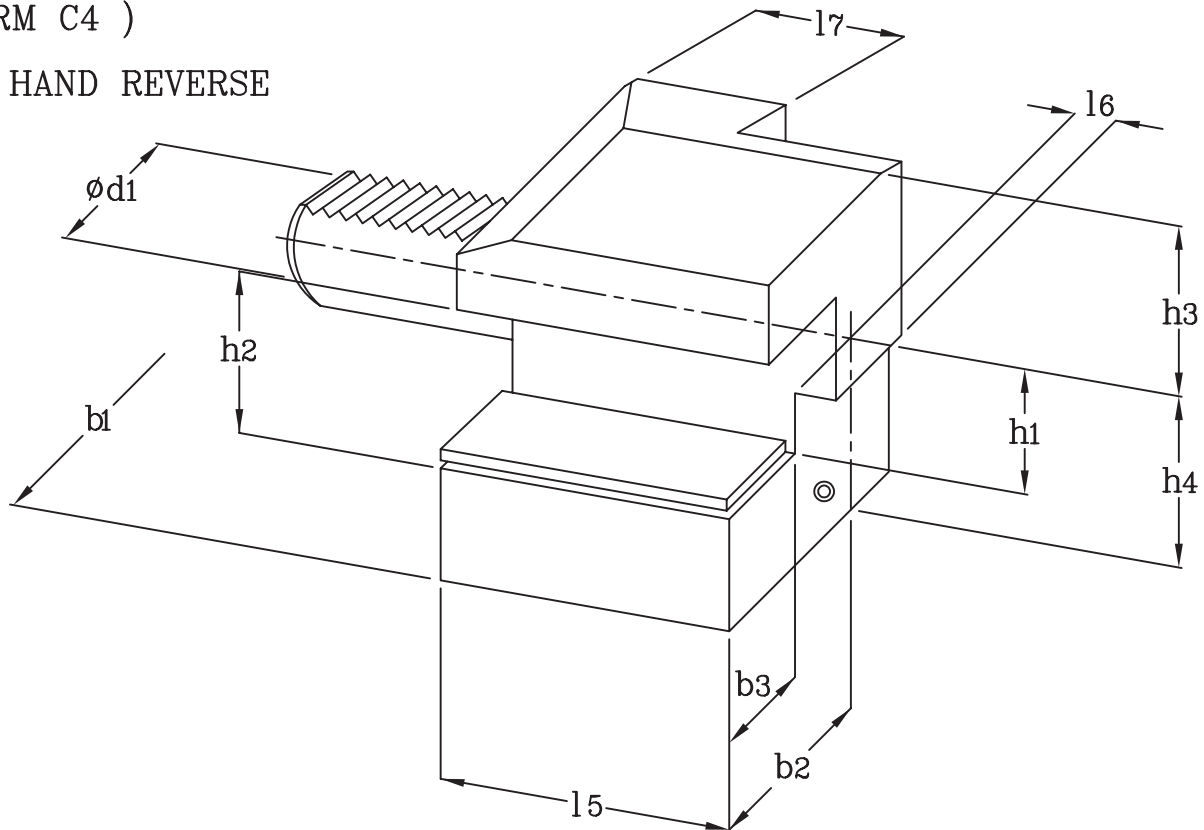
RIGHT HAND REVERSE



SIZE	ød1	b1	b2	b3	h1	h2	h3	h4	l5	l6	l7
C3 30X16	30	70	35	18	16	25	38	35	70	10	30
C3 30X20	30	70	35	18	20	29	38	35	70	10	30
C3 40X20	40	85	42.50	22	20	29	48	42.50	85	12.50	30
C3 40X25	40	85	42.50	22	25	34	48	42.50	85	12.50	30
C3 50X25	50	100	50	24.50	25	34	60	50	100	16	40
C3 50X32	50	100	50	24.50	32	41	60	50	100	16	40
C3 60X32	60	125	62.50	30	32	41	62.50	62.50	125	16	40

( FORM C4 )

LEFT HAND REVERSE

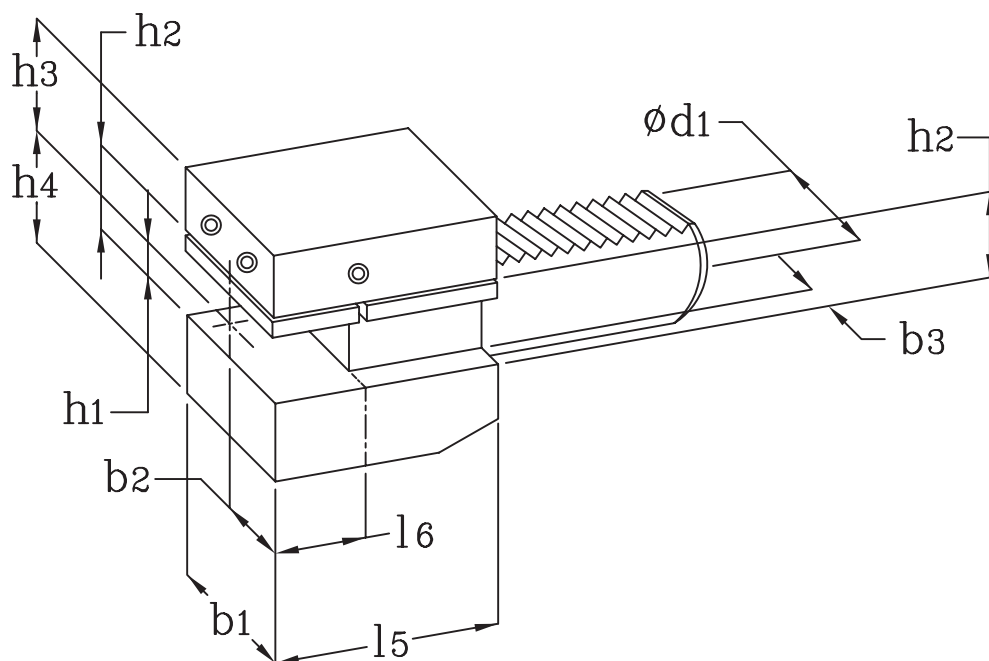


SIZE	ød1	b1	b2	b3	h1	h2	h3	h4	l5	l6	l7
C4 30X16	30	76	41	18	16	25	38	35	70	10	30
C4 30X20	30	76	41	18	20	29	38	35	70	10	30
C4 40X20	40	90	47.50	22	20	29	48	42.50	85	12.50	30
C4 40X25	40	90	47.50	22	25	34	48	42.50	85	12.50	30
C4 50X25	50	105	55	24.50	25	34	60	50	100	16	40
C4 50X32	50	105	55	24.50	32	41	60	50	100	16	40
C4 60X32	60	125	62.50	30	32	41	62.50	62.50	125	16	40



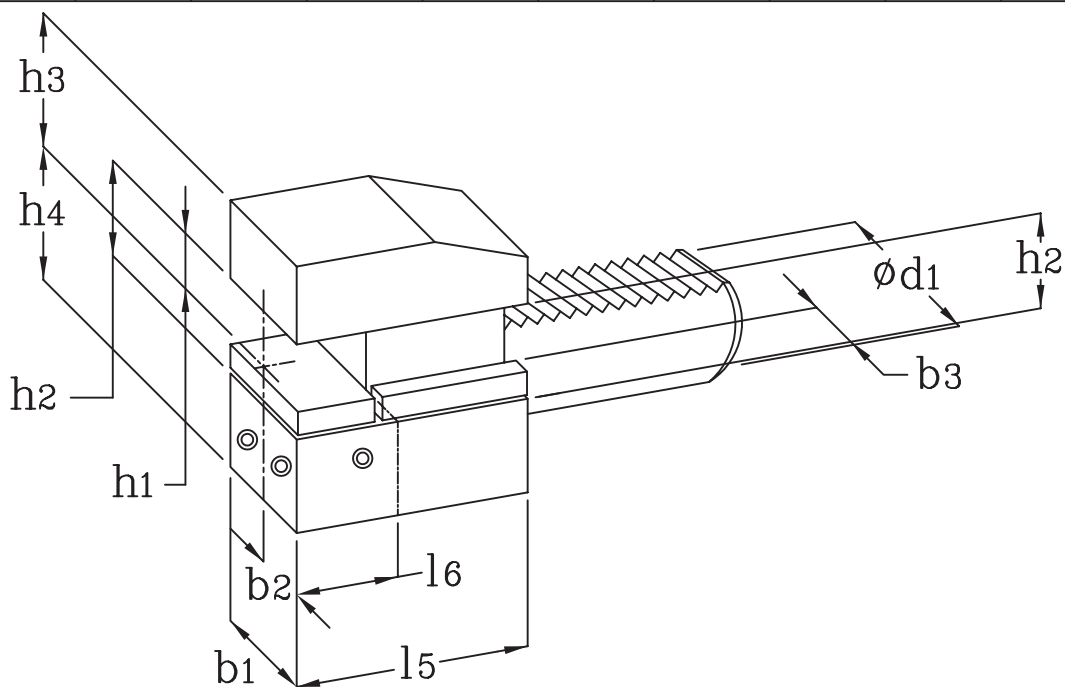
# VDI SHANK HOLDER ( FORM D )

( FORM D1 )



SIZE	ød1	b1	b2	b3	h1	h2	h3	h4	l5	l6
D1 30X16X60	30	70	35	14.50	16	25	28	38	60	25
D1 30X20X60	30	70	35	14.50	20	29	28	38	60	25
D1 40X20X72.50	40	85	42.50	19.50	20	29	32.50	48	72.50	30
D1 40X25X72.50	40	85	42.50	19.50	25	34	32.50	48	72.50	30
D1 50X25X84	50	100	50	24.50	25	34	35	60	84	34
D1 50X32X84	50	100	50	24.50	32	45	35	60	84	34
D1 60X25X109	60	125	62.50	30	25	34	42.50	62.50	109	46.50

( FORM D2 )

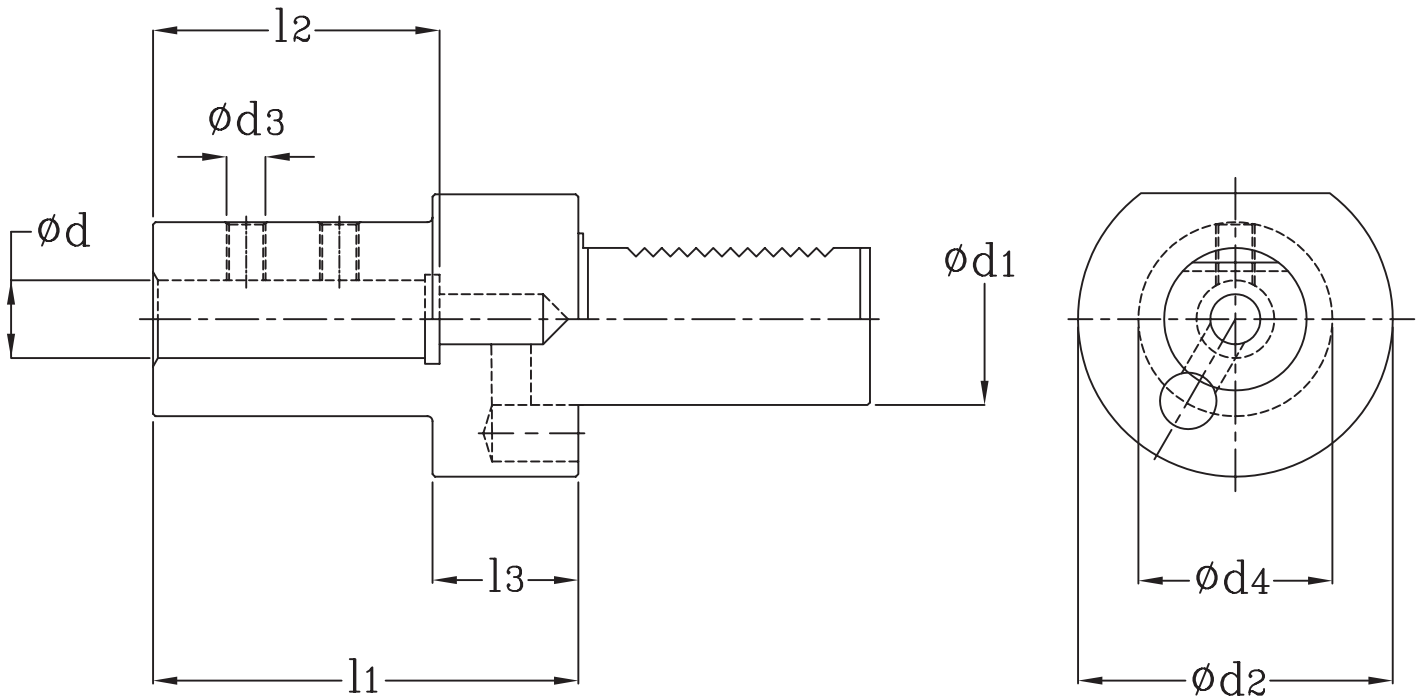


SIZE	ød1	b1	b2	b3	h1	h2	h3	h4	l5	l6
D2 30X16X60	30	70	35	14.50	16	25	38	35	60	25
D2 30X20X60	30	70	35	14.50	20	29	38	35	60	25
D2 40X20X72.50	40	85	42.50	19.50	20	29	48	42.50	72.50	30
D2 40X25X72.50	40	85	42.50	19.50	25	34	48	42.50	72.50	30
D2 50X25X84	50	100	50	24.50	25	34	60	50	84	34
D2 50X32X84	50	100	50	24.50	32	45	60	50	84	34
D2 60X25X109	60	125	62.50	30	25	34	62.50	62.50	109	46.50





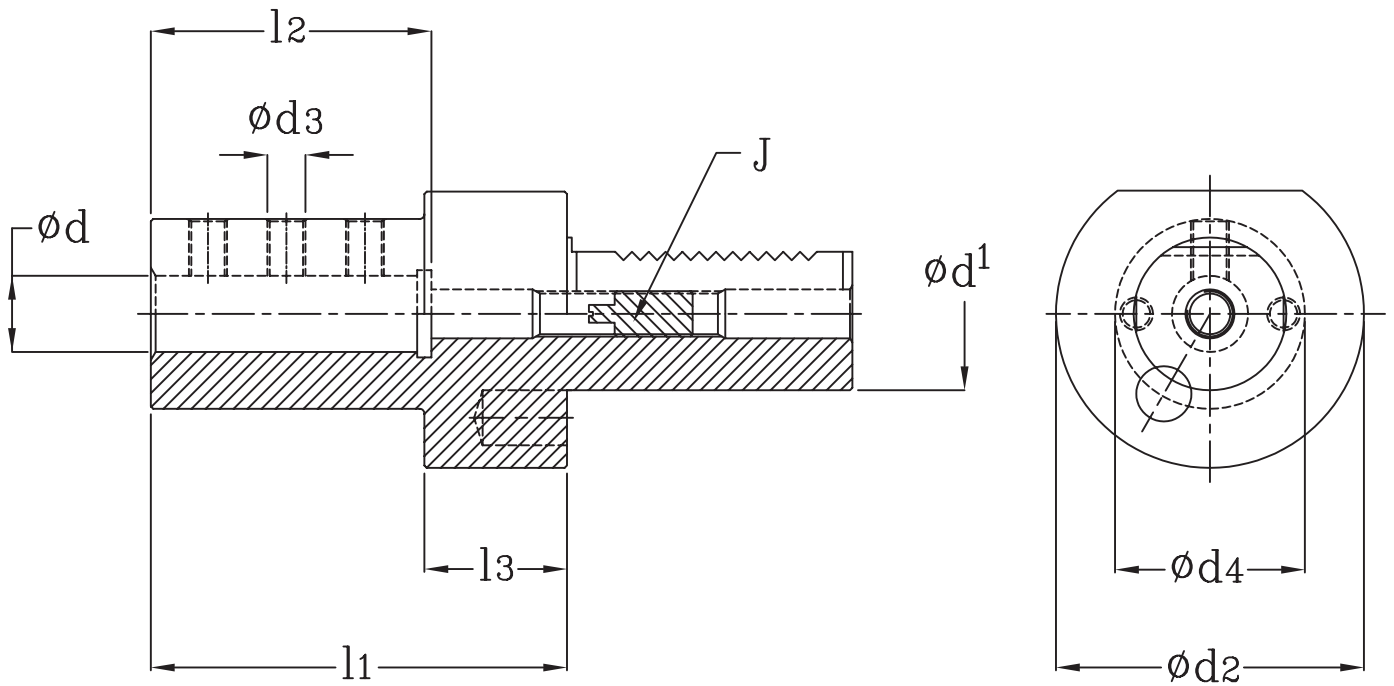
# VDI SHANK HOLDER ( FORM E1 )



SIZE	$\phi d$	$\phi d_1$	$\phi d_2$	$\phi d_3$	$\phi d_4$	$l_1$	$l_2$	$l_3$
E1 30X20X67	20	30	68	M10	40	67	54	22
E1 30X25X71	25	30	68	M12	45	71	59	22
E1 30X32X75	32	30	68	M12	52	75	63	22
E1 40X20X67	20	40	83	M10	40	67	54	22
E1 40X25X75	25	40	83	M12	45	75	59	22
E1 40X32X75	32	40	83	M12	52	75	63	22
E1 40X40X90	40	40	83	M16	60	90	73	22
E1 50X20X67	20	50	98	M10	40	67	54	30
E1 50X25X80	25	50	98	M12	45	80	59	30
E1 50X32X80	32	50	98	M12	52	80	63	30
E1 50X40X90	40	50	98	M16	60	90	73	30
E1 50X50X100	50	50	98	M16	70	100	83	30
E1 60X20X80	20	60	123	M10	40	80	54	30
E1 60X25X80	25	60	123	M12	45	80	59	30
E1 60X32X80	32	60	123	M12	52	80	63	30
E1 60X40X90	40	60	123	M16	60	90	73	30
E1 60X50X100	50	60	123	M16	70	100	83	30



# VDI SHANK HOLDER ( FORM E2 )

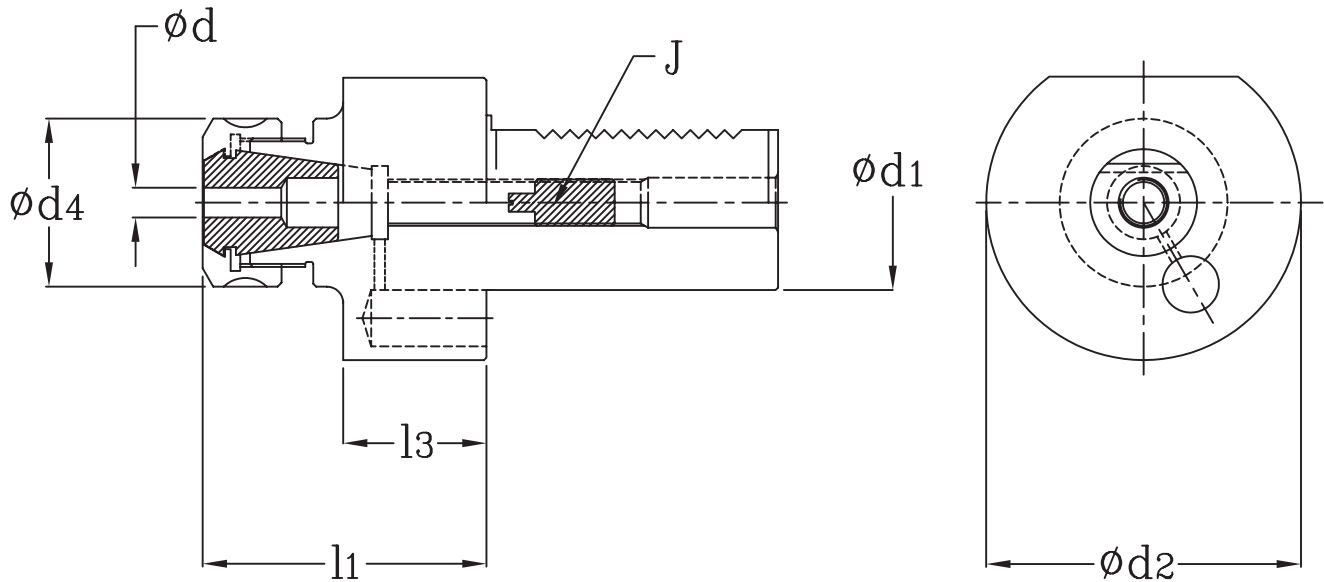


SIZE	$\phi d$	$\phi d_1$	$\phi d_2$	$\phi d_3$	$\phi d_4$	J	$l_1$	$l_2$	$l_3$
E2 30X08X60	08	30	68	M 6	55	M16X1	60	51	22
E2 30X10X60	10	30	68	M 6	55	M16X1	60	51	22
E2 30X12X60	12	30	68	M 8	55	M16X1	60	51	22
E2 30X16X60	16	30	68	M 8	55	M16X1	60	51	22
E2 30X20X60	20	30	68	M 8	55	M16X1	60	51	22
E2 30X25X60	25	30	68	M 8	55	M16X1	60	51	22
E2 30X32X75	32	30	68	M 8	68	M16X1	75	61	22
E2 40X12X75	12	40	83	M 8	55	M20X1	75	61	22
E2 40X16X75	16	40	83	M10	55	M20X1	75	61	22
E2 40X20X75	20	40	83	M10	55	M20X1	75	61	22
E2 40X25X75	25	40	83	M10	55	M20X1	75	61	22
E2 40X30X75	30	40	83	M10	83	M20X1	75	61	22
E2 40X32X75	32	40	83	M10	83	M20X1	75	61	22
E2 40X40X90	40	40	83	M10	83	M20X1	90	76	22
E2 40X50X100	50	40	83	M10	83	M20X1	100	85	22
E2 50X16X90	16	50	98	M10	68	M24X1	90	76	30
E2 50X20X90	20	50	98	M12	68	M24X1	90	76	30
E2 50X25X90	25	50	98	M12	68	M24X1	90	76	30
E2 50X32X90	32	50	98	M12	68	M24X1	90	76	30
E2 50X40X90	40	50	98	M12	98	M24X1	90	76	30
E2 50X50X100	50	50	98	M12	98	M24X1	100	86	30
E2 60X16X90	16	60	123	M10	68	M36X2	90	76	30
E2 60X20X90	20	60	123	M12	68	M36X2	90	76	30
E2 60X25X90	25	60	123	M12	68	M36X2	90	76	30
E2 60X32X90	32	60	123	M12	68	M36X2	90	76	30
E2 60X40X90	40	60	123	M12	98	M36X2	90	76	30
E2 60X50X100	50	60	123	M12	98	M36X2	100	86	30



# VDI SHANK HOLDER ( FORM E3 )

MODEL : VDI/CHE ( AS PER DIN 6499 )

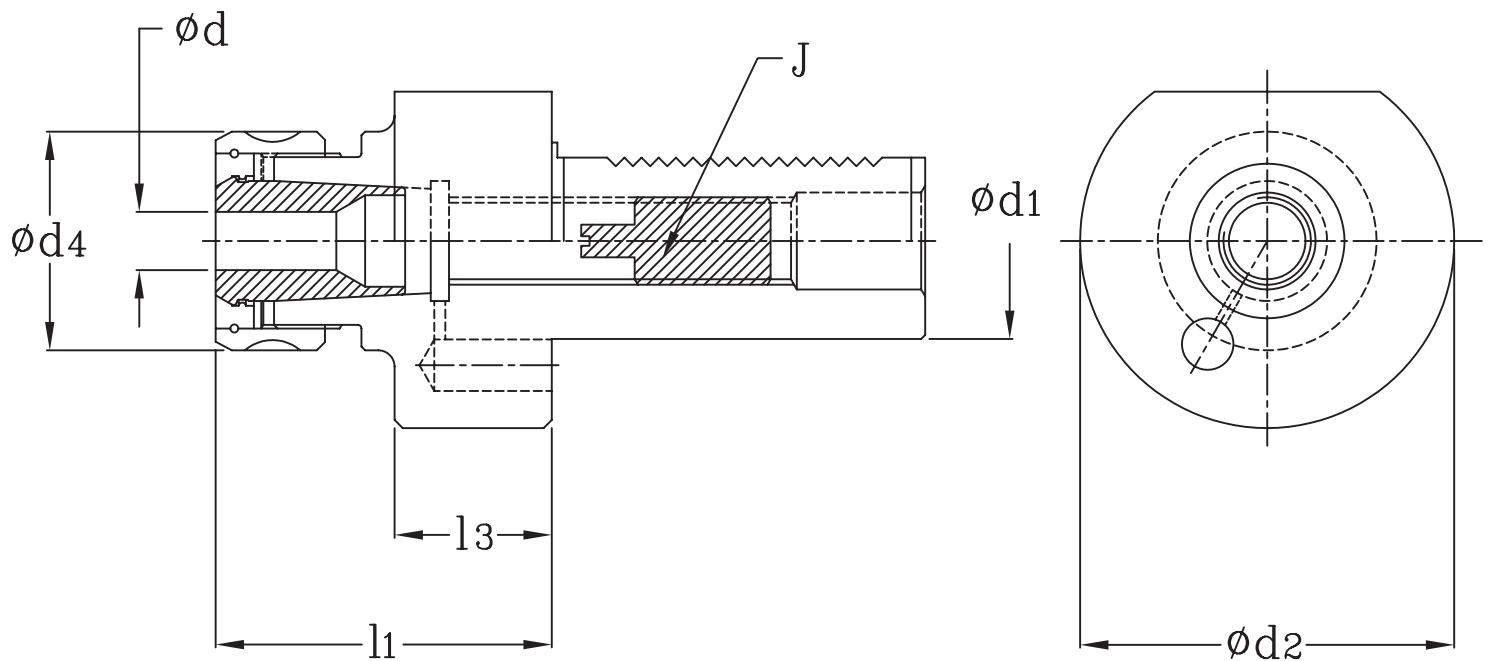


SIZE	COLLET	$\phi d$	$\phi d_1$	$\phi d_2$	$\phi d_4$	J	$l_1$	$l_3$
E3 30X25X75	ER 25	3 - 16	30	68	42	M18X1.5	75	22
E3 30X32X75	ER 32	3 - 20	30	68	50	M18X1.5	75	22
E3 30X40X75	ER 40	4 - 26	30	68	63	M18X1.5	75	22
E3 40X25X75	ER 25	3 - 16	40	83	42	M22X1.5	75	22
E3 40X32X75	ER 32	3 - 20	40	83	50	M22X1.5	75	22
E3 40X40X75	ER 40	4 - 26	40	83	63	M22X1.5	75	22
E3 50X40X75	ER 40	4 - 26	50	98	63	M28X1.5	75	30
E3 60X40X75	ER 40	4 - 26	60	123	63	M28X1.5	75	30



# VDI SHANK HOLDER ( FORM E4 )

MODEL : VDI/CHS ( AS PER DIN 6388 )



SIZE	COLLET	$\phi d$	$\phi d_1$	$\phi d_2$	$\phi d_4$	J	$l_1$	$l_3$
E4 30X25X75	SM 25	3 - 16	30	68	42	M18X1.5	75	22
E4 30X32X75	SM 32	3 - 20	30	68	50	M18X1.5	75	22
E4 30X40X75	SM 40	4 - 26	30	68	63	M18X1.5	75	22
E4 40X25X75	SM 25	3 - 16	40	83	42	M22X1.5	75	22
E4 40X32X75	SM 32	3 - 20	40	83	50	M22X1.5	75	22
E4 40X40X75	SM 40	4 - 26	40	83	63	M22X1.5	75	22
E4 50X40X75	SM 40	4 - 26	50	98	63	M28X1.5	75	30